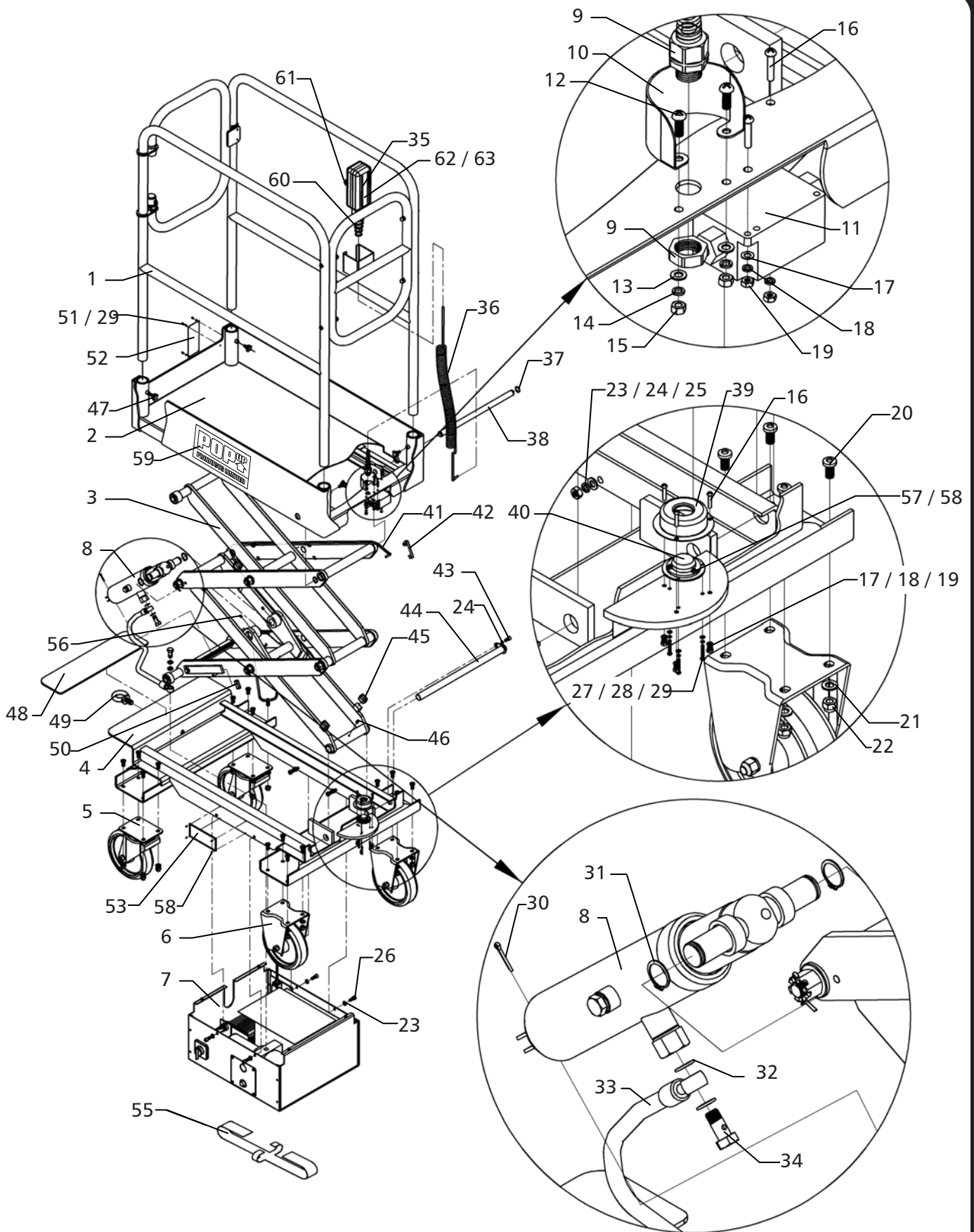


Pop-Up Twin Scissor Machine (1.63m PH)



PUP - EV - 001

see overleaf for item identification



Pop-Up Products Limited

2 Deeside Point, Tenth Avenue, Deeside Industrial Park, Deeside CH5 2UA

Tel +44 (0) 1244 833 933 Fax +44 (0) 1244 833 934 Email sales@popupproducts.co.uk www.popupproducts.co.uk

Parts List for PUP - EV - 001

Item Ref.	Man Ref.	POP Part No.	Description	Qty.
1	1001	POPS0106	Handrail assembly	1
2	1002	POPS0032	Toe-board assembly	1
3	1003	POPS0030	Scissors assembly	1
4	1004	POPS0033	Chassis assembly	1
5	1005	POPS0104	Swivel castor 200mm	2
6	1006	POPS0105	Fixed castor 200mm	2
7	1007	POPS0024	Hydraulic power assembly	1
8	1008	POPS0014	Cylinder assembly	1
9	1009	POPS0136	*Cable Gland	1
10	1010	POPS0137	Protective Shroud	1
11	1011	POPS0138	*Junction box	1
12	1012	POPS0139	*Screw	2
13	1013	POPS0140	*Washer	19
14	1014	POPS0141	*Spring washer	19
15	1015	POPS0142	*Nut	3
16	1016	POPS0143	*Screw	5
17	1017	POPS0144	*Washer	10
18	1018	POPS0145	*Spring washer	9
19	1019	POPS0146	*Nut	1
20	1020	POPS0107	Screw	16
17	1021	POPS0108	Washer	4
22	1022	POPS0109	Nut	2
23	1023	POPS0110	Washer	4
24	1024	POPS0111	Spring washer	4
25	1025	POPS0112	Nut	4
26	1026	POPS0113	Screw	4
27	1027	POPS0114	Screw	3
28	1028	POPS0115	Spring washer	4
29	1029	POPS0116	Washer	3
30	1030	POPS0117	Split pin	1
31	1031	POPS0118	Retaining ring	2
32	1032	POPS0119	Dowty Washer	4
33	1033	POPS0012	Hydraulic Hose assembly	1
34	1034	POPS0120	Banjo Nut	2
35	1035	POPS0005	Control Pendant	1
36	1036	POPS0149	*Coiled cable	1
37	1037	POPS0121	Circlip	2

Item Ref.	Man Ref.	POP Part No.	Description	Qty.
38	1038	POPS0122	Shaft	1
39	1039	POPS0123	Bubble Level cover	1
40	1040	POPS0035	Bubble Level	1
41	1041	POPS0147	*Control cable	1
42	1042	POPS0148	*Cable clamp	7
43	1043	POPS0124	Screw	4
44	1044	POPS0125	Shaft	1
45	1045	POPS0074	Cushion Pad	4
46	1046	POPS0126	Grease Nipple	5
47	1047	POPS0036	Handrail Securing Screw	4
48	1048	POPS0127	Antiskid pad	1
49	1049	POPS0128	Tow Eye	1
50	1050	POPS0129	PU cover for Maintenance Prop	4
51	1051	POPS0130	Screw	4
52	1052	POPS0083	LOLER plate	1
53	1053	POPS0131	Chassis plate	1
54	1054	POPS0132	Rivet	4
55	1055	POPS0061	Cable Velcro strap	2
56	1056	POPS0133	Screw	2
57	1057	POPS0134	Screw	3
58	1058	POPS0135	Nut	4
59	1059	POPS0085	Decal Pack	1
60	1060	POPS0087	Instruction Card Lanyard	1
61	1061	POPS0088	Emergency Stop Lock Kit	1
62	1062	POPS0089	Pendant Control Switch N/O	1
63	1063	POPS0090	Pendant Control Switch N/C	1
64	1064	POPS0018	Swivel castor 160mm	2
65	1065	POPS0017	Fixed castor 160mm	2

* ORDER ALL PARTS TO MAKE UP STRAIGHT CABLE KIT POPS0080

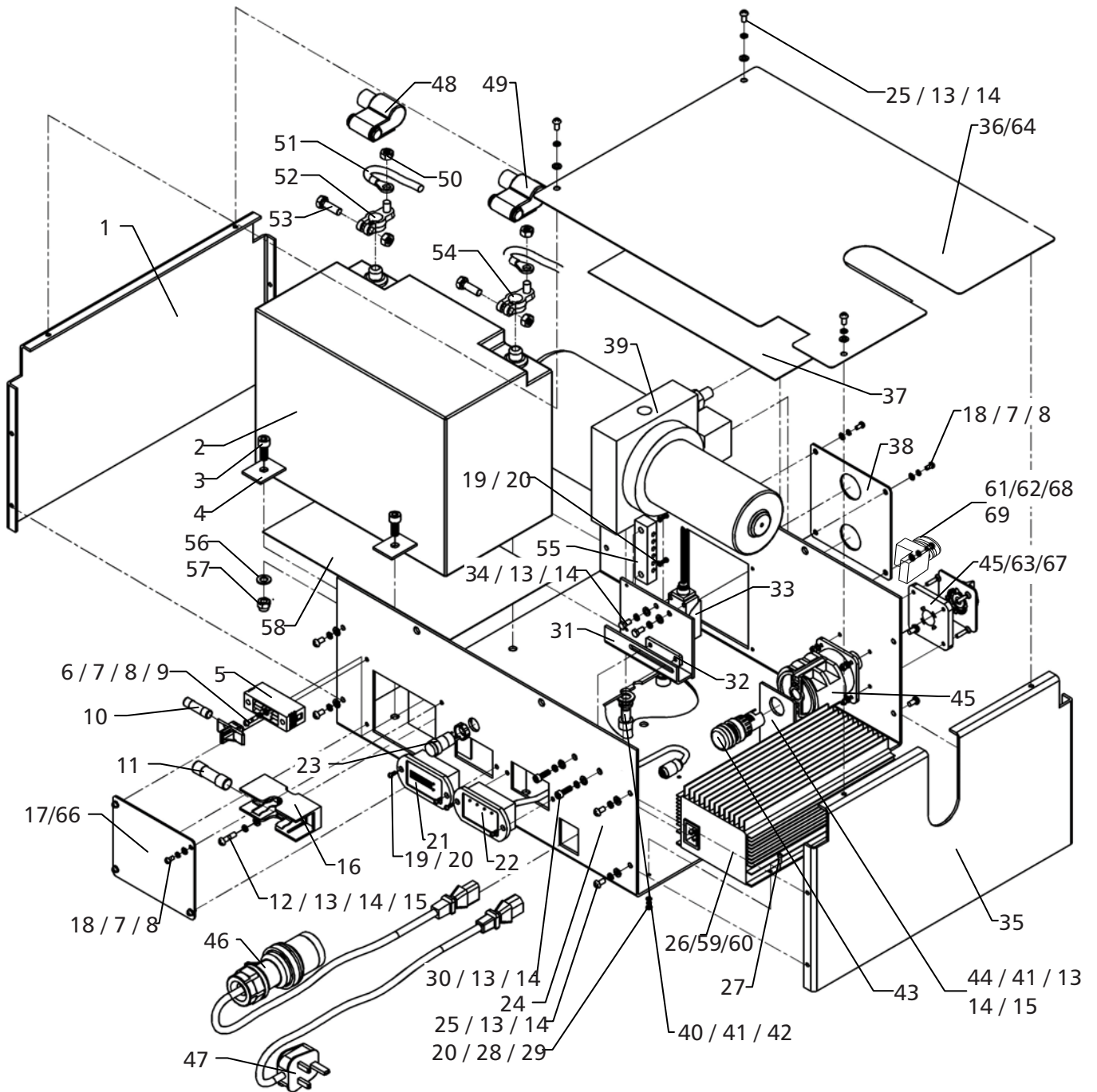


Pop-Up Products Limited

2 Deeside Point, Tenth Avenue, Deeside Industrial Park, Deeside CH5 2UA

Tel +44 (0) 1244 833 933 Fax +44 (0) 1244 833 934 Email sales@popupproducts.co.uk www.popupproducts.co.uk

Lower Tray Assembly



PUP - EV - 002

see overleaf for item identification



Pop-Up Products Limited

2 Deeside Point, Tenth Avenue, Deeside Industrial Park, Deeside CH5 2UA

Tel +44 (0) 1244 833 933 Fax +44 (0) 1244 833 934 Email sales@popupproducts.co.uk www.popupproducts.co.uk

Parts List for PUP - EV - 002

Item Ref	Man Ref.	POP Prt No.	Description	Qty.
1	2001	POPS0150	Endplate 'I'	1
2	2002	POPS0026	Battery	1
3	1026	POPS0113	Screw	4
4	2003	POPS0151	Battery Securing Tag	1
5	2004	POPS0152	Fuse bracket	1
6	2005	POPS0153	Screw	1
7	1018	POPS0145	Spring washer	9
8	1017	POPS0144	Washer	10
9	1019	POPS0146	Nut	1
10	2006	POPS0067	Fuse (4A)	1
11	2007	POPS0066	Fuse (63A)	1
12	2008	POPS0154	Screw	1
13	1014	POPS0141	Spring washer	19
14	1013	POPS0140	Washer	19
15	1015	POPS0142	Nut	3
16	2009	POPS0155	Fuse bracket	1
17	2010	POPS0101	Fuse Box Covering plate	1
18	2011	POPS0156	Screw	8
19	2012	POPS0157	Screw	6
20	1029	POPS0116	Washer	10
21	2013	POPS0048	Battery indicator	1
22	2014	POPS0064	Charging Indicator	1
23	2015	POPS0049	Battery Condition Button	1
24	2016	POPS0158	Lower Tray	1
25	2017	POPS0159	Screw	12
26	2018	POPS0099	Charger (1599 to present)	1
27	2019	POPS0160	Screw	4
28	1028	POPS0115	Spring washer	4
29	1058	POPS0135	Nut	4
30	1029	POPS0116	Screw	2
31	2020	POPS0161	Bracket for limit switch	1
32	2021	POPS0162	Fixing Plate	1
33	2022	POPS0029	Scissor Travel Limit Switch	1
34	2023	POPS0163	Screw	4
35	2024	POPS0164	Endplate 'II'	1
36	2025	POPS0165	Top Coverplate	1

Item Ref	Man Ref.	POP Prt No.	Description	Qty.
37	2026	POPS0166	Insulation Pad	1
38	2027	POPS0078	Coverplate for solenoid	1
39	2028	POPS0024	Hydraulic Power Pack	1
40	2029	POPS0167	Bolt	2
41	2030	POPS0168	Spring washer	2
42	1021	POPS0108	Washer	2
43	2031	POPS0050	Buzzer	1
44	2032	POPS0169	Buzzer fixing Bracket	1
45	2033	POPS0062	Switch	1
46	2034	POPS0060	Cable (110V)	1
47	2035	POPS0059	Cable (240V)	1
48	2036	POPS0170	Terminal Cover (red)	1
49	2037	POPS0171	Terminal Cover (black)	1
50	1025	POPS0112	Nut	4
51	2038	POPS0172	Power cable	2
52	2039	POPS0173	Positive clamp	1
53	2040	POPS0174	Bolt	2
54	2041	POPS0175	Negative clamp	1
55	2042	POPS0176	Connector Block	1
56	1023	POPS0110	Washer	4
57	2043	POPS0177	Nut	4
58	2045	POPS0178	Insulator pad	1
59	2046	POPS0065	Charger (0001 to 0499)	1
60	2047	POPS0100	Charger (0500 to 1598)	1
61	2048	POPS0007	Lock Out Switch 'META' Type	1
62	2049	POPS0008	Spare Key MKI Lock Out Switch	2
63	2050	POPS0009	Isolator Switch 2 POS	1
64	2051	POPS0027	Battery Cover 'Top Hat' Section	1
65	2052	POPS0034	Chassis Tray MKI machine	1
66	2053	POPS0068	Fuse Compartment Cover MKI M/C	1
67	2054	POPS0047	3 POS ISO Switch Spare Knob	1
68	2055	POPS0230	Spare Key 'META' type switch	2
69	2056	POPS0231	Lock Out Switch MKI (RS)	1

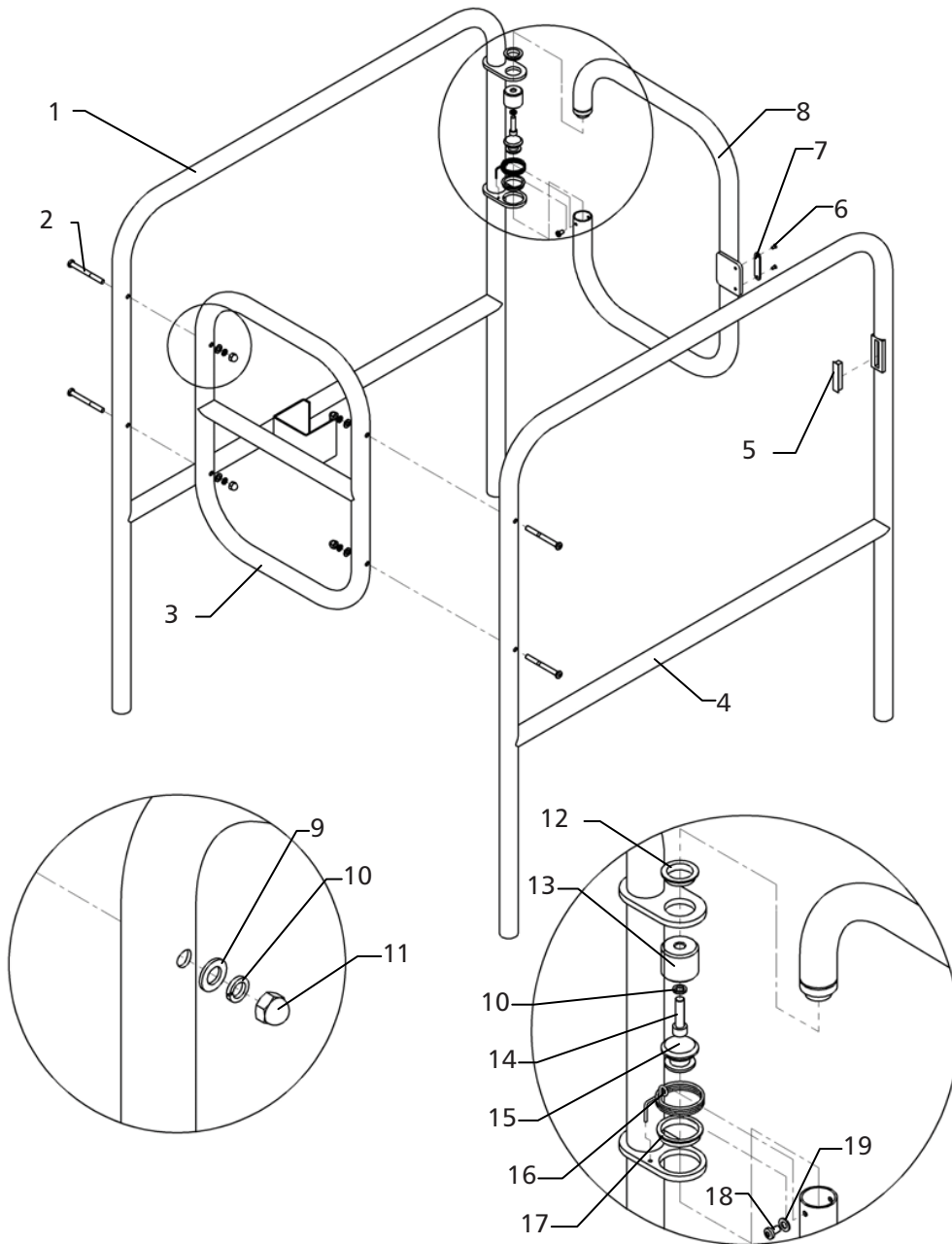


Pop-Up Products Limited

2 Deeside Point, Tenth Avenue, Deeside Industrial Park, Deeside CH5 2UA

Tel +44 (0) 1244 833 933 Fax +44 (0) 1244 833 934 Email sales@popupproducts.co.uk www.popupproducts.co.uk

Handrail Assembly



PUP - EV - 003

Item Ref	Man Ref.	POP Prt No.	Description	Qty.
1	3001	POPS0020	Left handrail	1
2	3002	POPS0179	*Screw	4
3	3003	POPS0097	Rear handrail	1
4	3004	POPS0019	Right handrail	1
5	3005	POPS0023	Magnet	1
6	3006	POPS0180	Screw	2
7	3007	POPS0071	Catch plate	1
8	3008	POPS0069	Gate	1
9	1023	POPS0110	*Washer	4
10	1024	POPS0111	*Spring washer	5
11	3009	POPS0181	*Nut	4
12	3010	POPS0102	Nylon-bushing small	1
13	3011	POPS0058	Gate Spigot Block	1

Item Ref	Man Ref.	POP Prt No.	Description	Qty.
14	3012	POPS0182	Screw	1
15	3013	POPS0183	Tube Plug	1
16	3014	POPS0070	Torsion spring	1
17	3015	POPS0103	Nylon-bushing large	1
18	3016	POPS0184	Screw	1
19	3017	POPS0185	Washer	1

* Order together to make up Endframe Bolt Kit POPS0072

Item Ref	Man Ref.	POP	Description	Qty.
2	3002	POPS0179	Screw	4
9	1023	POPS0110	Washer	4
10	1024	POPS0111	Spring washer	5
11	3009	POPS0181	Nut	4

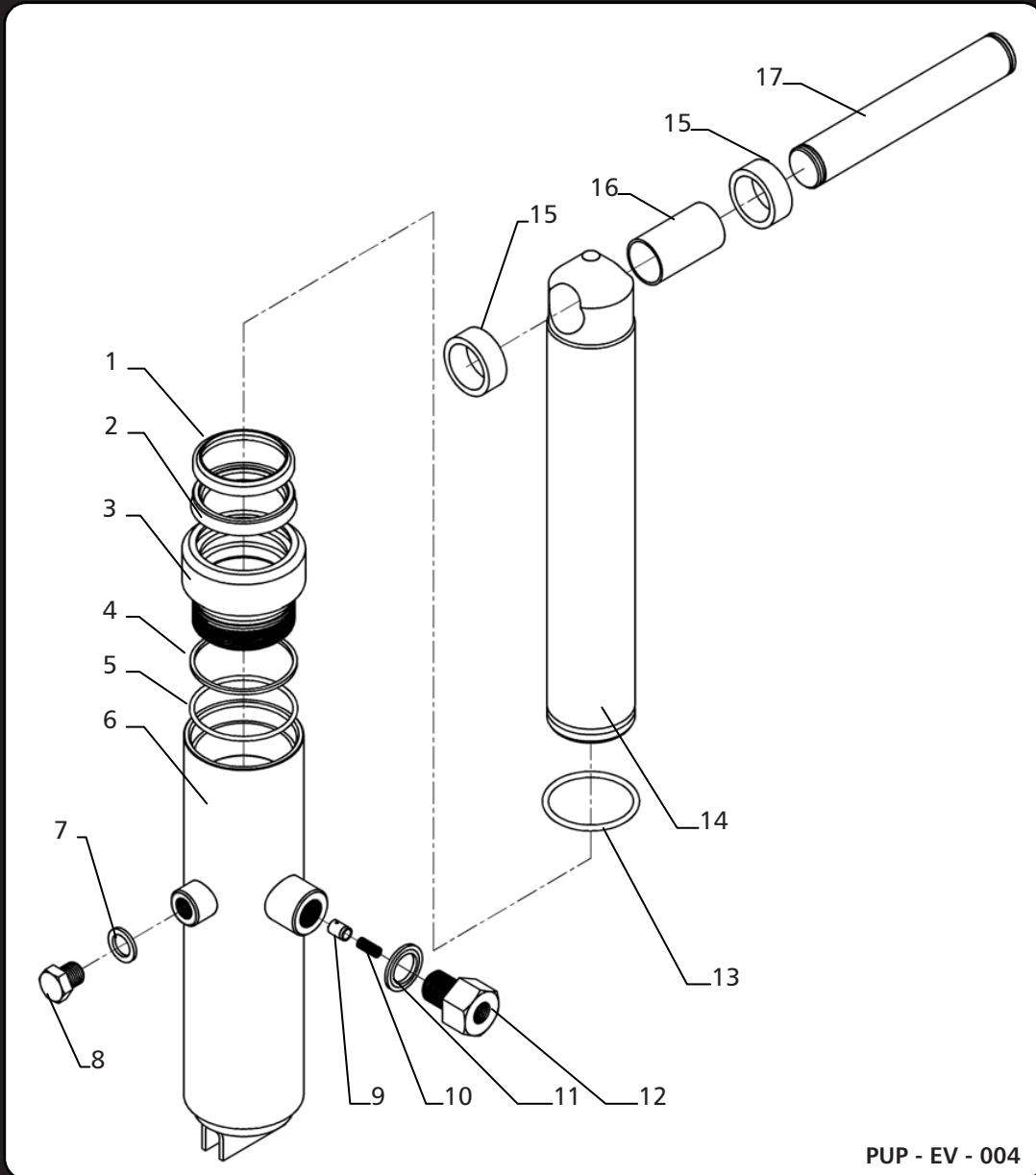


Pop-Up Products Limited

2 Deeside Point, Tenth Avenue, Deeside Industrial Park, Deeside CH5 2UA

Tel +44 (0) 1244 833 933 Fax +44 (0) 1244 833 934 Email sales@popupproducts.co.uk www.popupproducts.co.uk

Cylinder Assembly



PUP - EV - 004

Item Ref	Man Ref.	POP Prt No.	Description	Qty.
1	4001	POPS0186	Dustproof seal ring	1
2	4002	POPS0187	Y-ring	1
3	4003	POPS0188	Cylinder cover	1
4	4004	POPS0189	Retaining ring	1
5	4005	POPS0190	O-ring	1
6	4006	POPS0191	Cylinder	1
7	4007	POPS0192	USS seal kit	1
8	4008	POPS0193	Screw bolt	1
9	4009	POPS0194	Safety valve	1
10	4010	POPS0195	Press spring	1
11	4011	POPS0196	Seal ring	1
12	4012	POPS0197	Check Valve	1
13	4013	POPS0198	Snap ring	1
14	4014	POPS0199	Piston rod	1
15	4015	POPS0200	Washer	2
16	4016	POPS0201	Bushing	1
17	4017	POPS0202	Pin	1

Item Ref	Man Ref.	POP Prt No.	Description	Qty.
10	4010	POPS0203	Press spring	1
11	4011	POPS0204	Seal ring	1
12	4012	POPS0205	Check Valve	1
13	4013	POPS0206	Snap ring	1
14	4014	POPS0207	Piston rod	1
15	4015	POPS0208	Washer	2
16	4016	POPS0209	Bushing	1
17	4017	POPS0210	Pin	1

Main Cylinder Seal Kit POPS0015 comprising of:

Item Ref	Man Ref.	POP Prt No.	Description	Qty.
1	4001	POPS0186	Dustproof seal ring	1
2	4002	POPS0187	Y-ring	1
4	4004	POPS0189	Retaining ring	1
5	4005	POPS0190	O-ring	1
13	4013	POPS0198	Snap ring	1

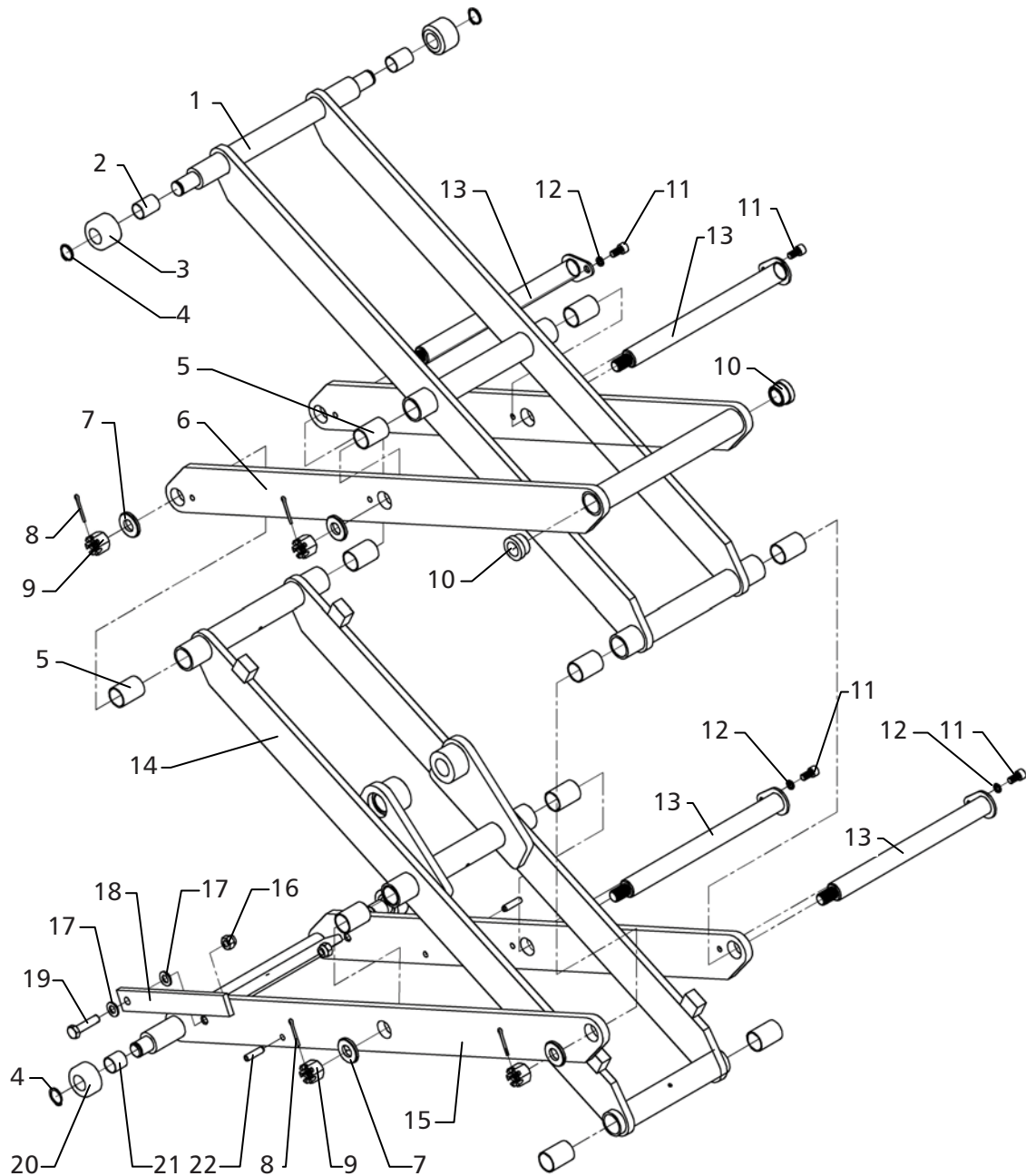


Pop-Up Products Limited

2 Deeside Point, Tenth Avenue, Deeside Industrial Park, Deeside CH5 2UA

Tel +44 (0) 1244 833 933 Fax +44 (0) 1244 833 934 Email sales@popupproducts.co.uk www.popupproducts.co.uk

Scissors Assembly



PUP - EV - 005

Item Ref	Man Ref.	POP Prt No.	Description	Qty.
1	5001	POPS0211	Internal scissors for table	1
2	5002	POPS0212	Bush Type 'B'	2
3	5003	POPS0213	Roller for table	2
4	5004	POPS0214	Retaining ring	4
5	5005	POPS0215	Bush Type 'C'	10
6	5006	POPS0216	External scissors for table	1
7	5007	POPS0217	Washer	4
8	5008	POPS0218	Split pin	4
9	5009	POPS0219	Castellated Nut	4
10	5010	POPS0220	Bushing	2
11	1043	POPS0221	Screw	4

Item Ref	Man Ref.	POP Prt No.	Description	Qty.
12	1024	POPS0222	Spring Washer	4
13	5011	POPS0073	Scissor Arm Pivot Shaft	4
14	5012	POPS0223	Internal scissors for chassis	1
15	5013	POPS0224	External scissors for chassis	1
16	1022	POPS0225	Nut	2
17	1021	POPS0226	Washer	4
18	5014	POPS0227	Maintenance Prop	2
19	5015	POPS0228	Bolt	2
20	5016	POPS0077	Roller for chassis	2
21	5017	POPS0229	Bush Type 'A'	2
22	5018	POPS0230	Bissell pin	2

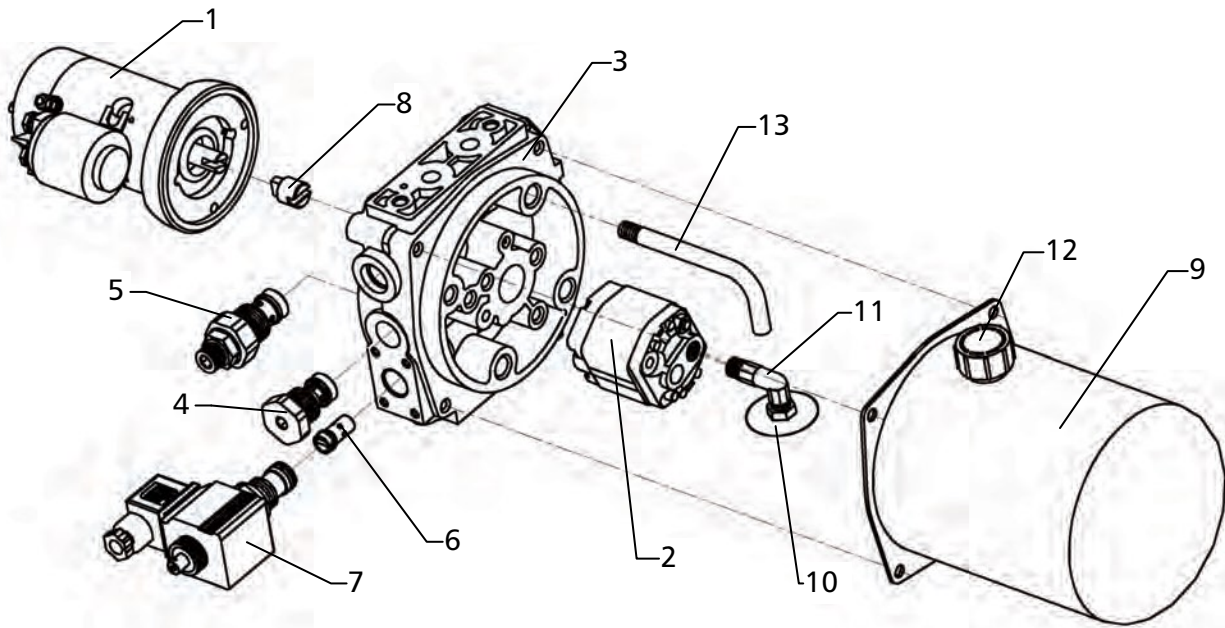


Pop-Up Products Limited

2 Deeside Point, Tenth Avenue, Deeside Industrial Park, Deeside CH5 2UA

Tel +44 (0) 1244 833 933 Fax +44 (0) 1244 833 934 Email sales@popupproducts.co.uk www.popupproducts.co.uk

Hydraulic Pack Assembly



PUP - EV - 006

Item Ref	Man Ref.	POP Prt No.	Description	Qty.
1	DA08H1	POPS0038	Motor	1
2	H05	POPS0041	Pump	1
3	XH5	POPS0042	Center block	1
4	300508	POPS0236	Check valve	1
5	300507	POPS0043	Relief valve	1
6	F2	POPS0237	Inlet	1
7	SC11	POPS0011	Solenoid & Emergency Release valve	1
8	400359	POPS0238	Coupling	1
9	XR01	POPS0013	Tank	1
10	400281	POPS0239	Suction filter	1
11	400849	POPS0240	Suction pipe	1
12	400710	POPS0241	Filler Cap	1
13	401014	POPS0242	Return pipe	1
14	I1	POPS0040	Start Relay	1



Pop-Up Products Limited

2 Deeside Point, Tenth Avenue, Deeside Industrial Park, Deeside CH5 2UA

Tel +44 (0) 1244 833 933 Fax +44 (0) 1244 833 934 Email sales@popupproducts.co.uk www.popupproducts.co.uk