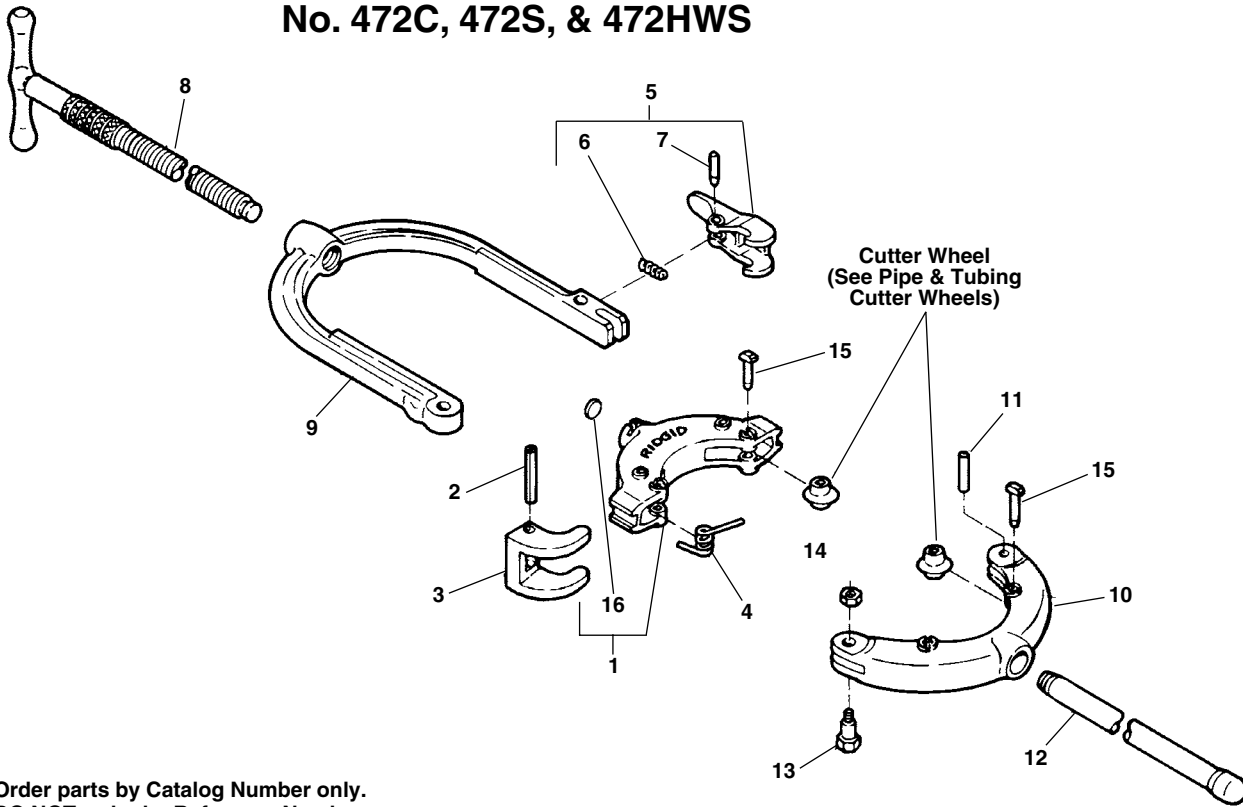


**Hinged Pipe Cutter: No. 424CI/DI, 424S
 No. 466C, 466S, 466HWS
 No. 468C, 468S, 468HWS
 No. 472C, 472S, & 472HWS**

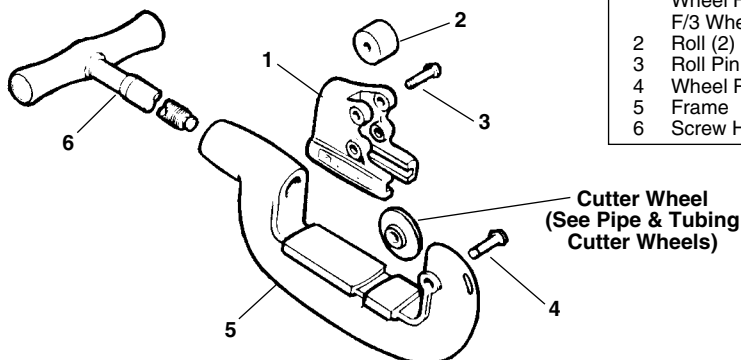


**NOTE: Order parts by Catalog Number only.
 DO NOT order by Reference Number.**

| | 424 2"-4" | 466 4"-6" | 468 6"-8" | 472 8"-12" |
|---------------------|--------------------|--------------------|--------------------|--------------------|
| Ref. No. | Catalog No. | Catalog No. | Catalog No. | Catalog No. |
| 1 Slide w/Wear Plug | 75837 | 74690 | 74705 | 74715 |
| 2 Slide Pin (2) | 83110 | 83110 | 83110 | 83110 |
| 3 Guide (2) | 75852 | 83105 | 83105 | 83105 |
| 4 Guide Spring (2) | 75857 | 83115 | 83115 | 83115 |
| 5 Latch Assembly | 75887 | 74695 | 74695 | 74695 |
| 6 Latch Spring | 83130 | 83130 | 83130 | 83130 |
| 7 Latch Pin | 75867 | 50307 | 50307 | 50307 |
| 8 Handle and Screw | 75847 | 83100 | 83100 | 83100 |

| | 424 2"-4" | 466 4"-6" | 468 6"-8" | 472 8"-12" |
|-------------------|--------------------|--------------------|--------------------|--------------------|
| Ref. No. | Catalog No. | Catalog No. | Catalog No. | Catalog No. |
| 9 Upper Yoke | 75827 | 83090 | 83155 | 83175 |
| 10 Lower Yoke | 75832 | 83095 | 83160 | 83180 |
| 11 Lower Yoke Pin | 83125 | 34375 | 34375 | 34375 |
| 12 Handle | — | 38585 | 38585 | 38585 |
| 13 Hinge Bolt | 83120 | 83120 | 83120 | 83120 |
| 14 Stop Nut | 79985 | 79985 | 79985 | 79985 |
| 15 Wheel Pin (4) | 75862 | 34790 | 34790 | 34790 |
| 16 Wear Plug | 75872 | 83135 | 83135 | 83135 |

**No. 1-A
 No. 2-A
 No. 202**



| | 1-A 1/8"-1 1/4" | 2-A 1/8"-2" | 202 1/8"-2" |
|-----------------|--------------------|--------------------|--------------------|
| Ref. No. | Catalog No. | Catalog No. | Catalog No. |
| 1 Roll Housing | 33765 | 33765 | 33400 |
| Wheel Housing | 34885 | 34885 | — |
| F/3 Wheel | — | — | — |
| 2 Roll (2) | 34775 | 34775 | 34305 |
| 3 Roll Pin (2) | 34780 | 34780 | 34310 |
| 4 Wheel Pin | 34780 | 34780 | 34780 |
| 5 Frame | 33310 | 33305 | 33305 |
| 6 Screw Handle | 33510 | 33505 | 33505 |